

# ASSEMBLY INSTRUCTION

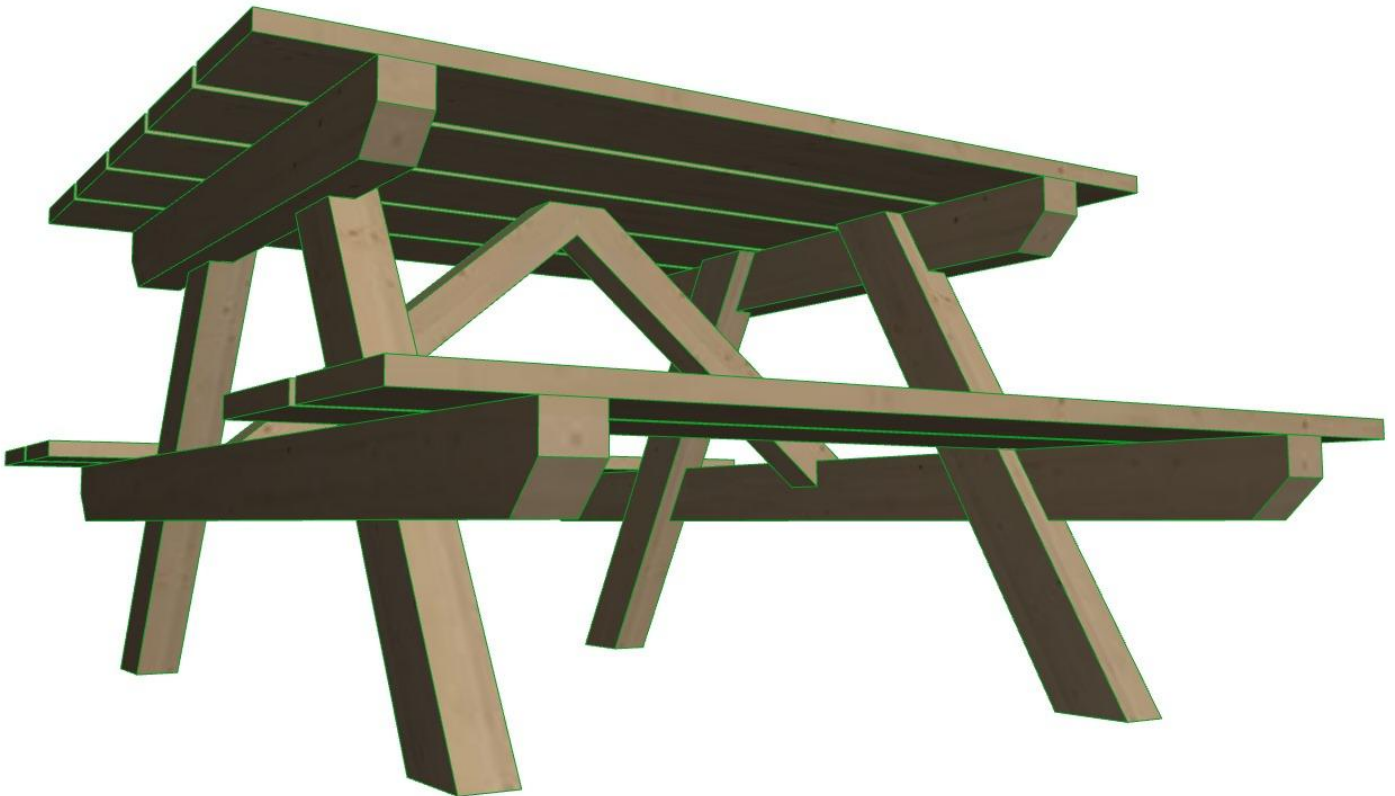
## GARDEN TABLE FOR KIDS



PDF

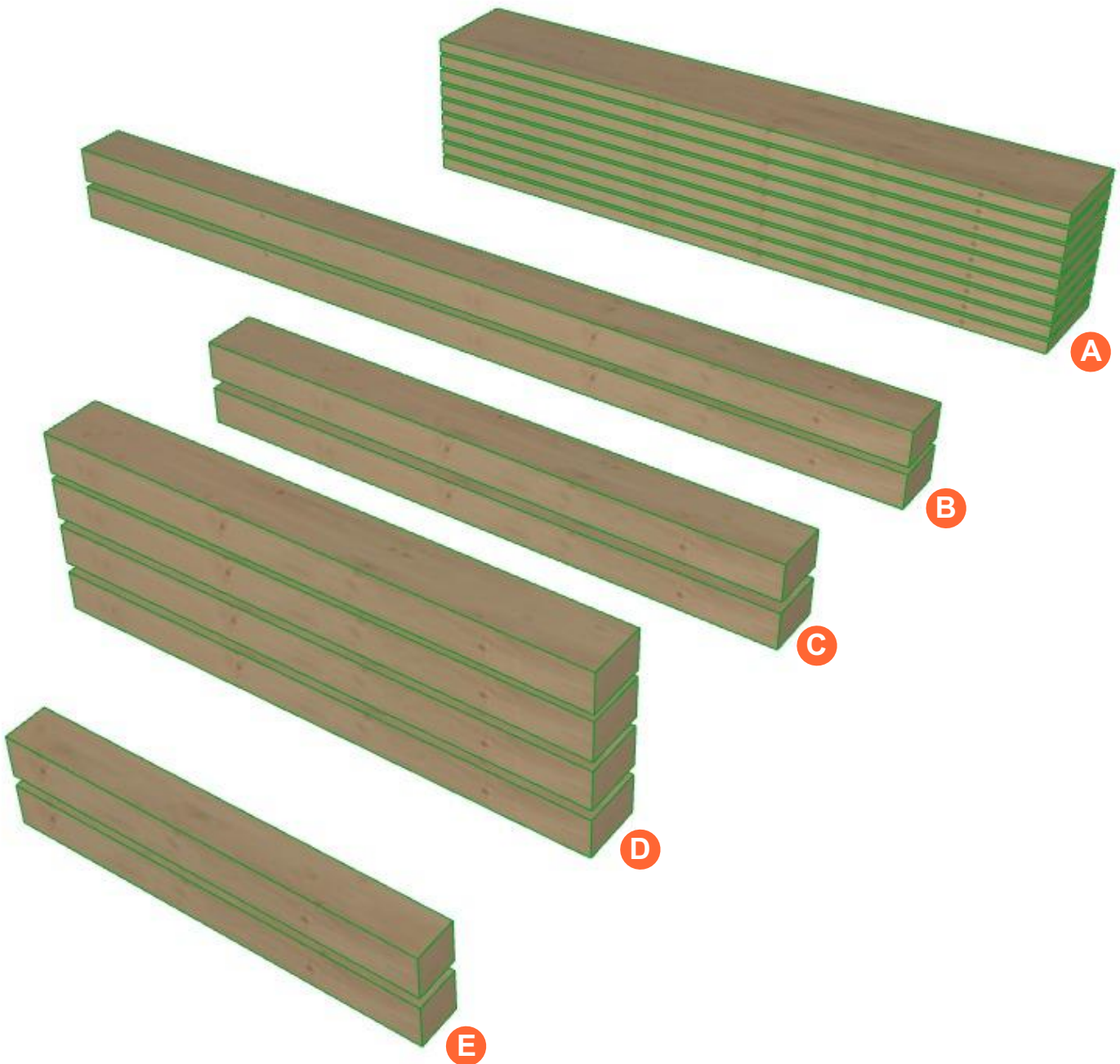


DREAM 4 DESIGN 



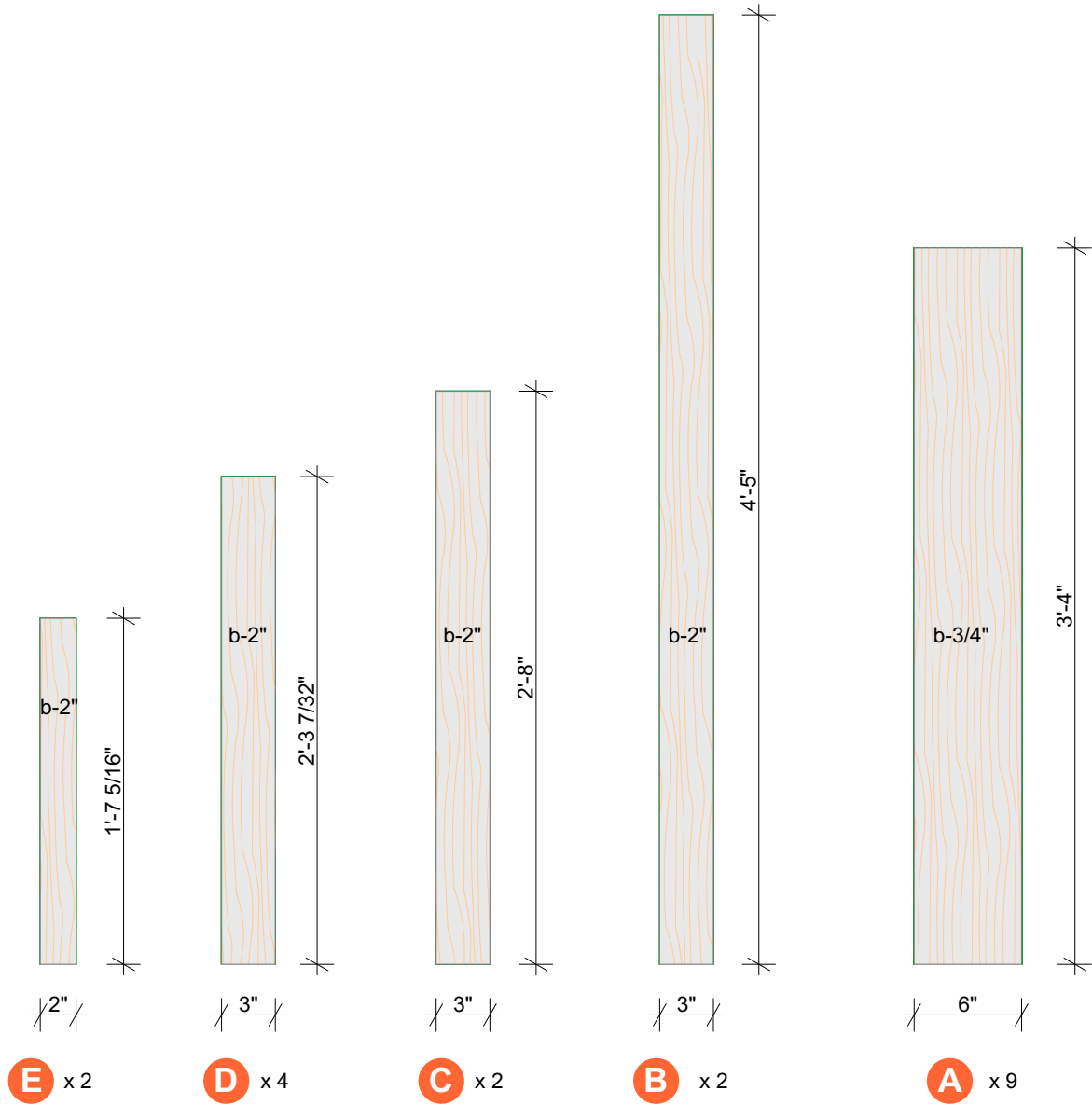
1. Prepare lumber:  
Sawmill yourself, cut from waste wood or leftover, or buy it.

---



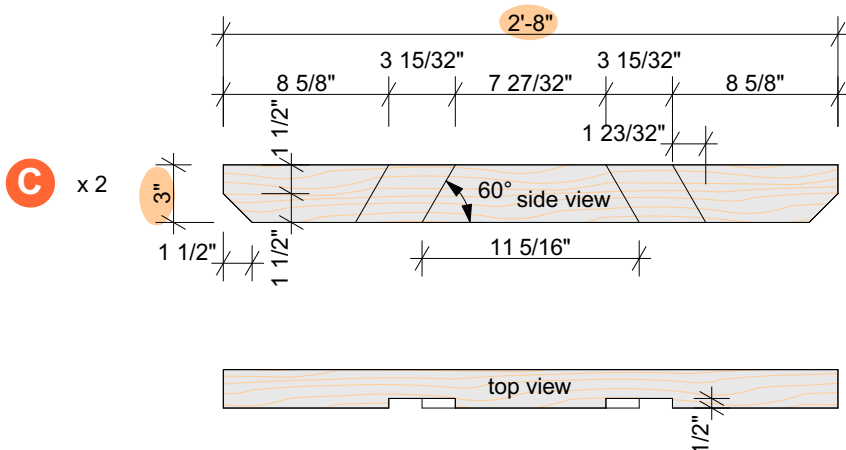
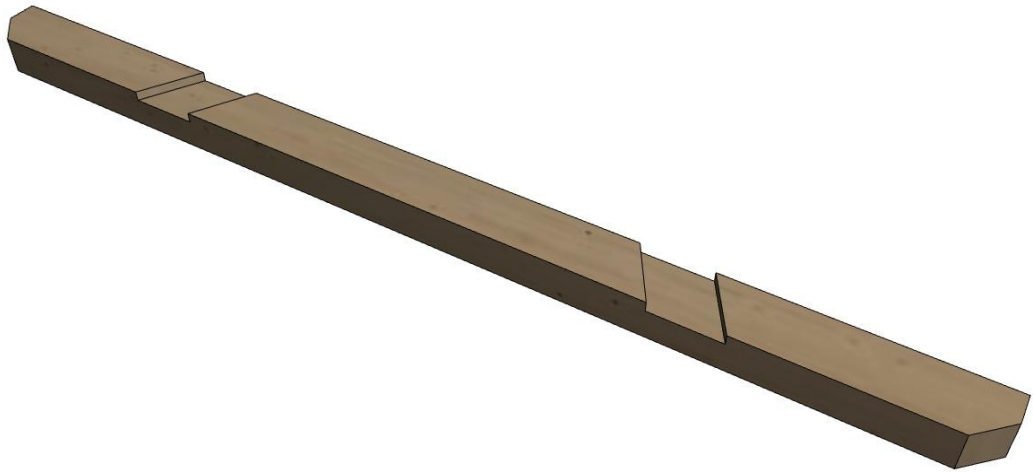
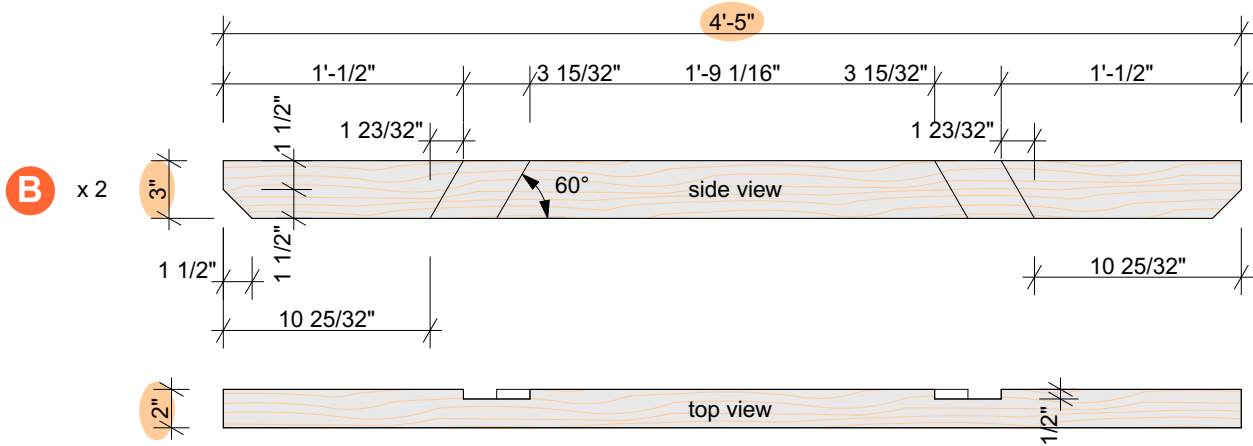
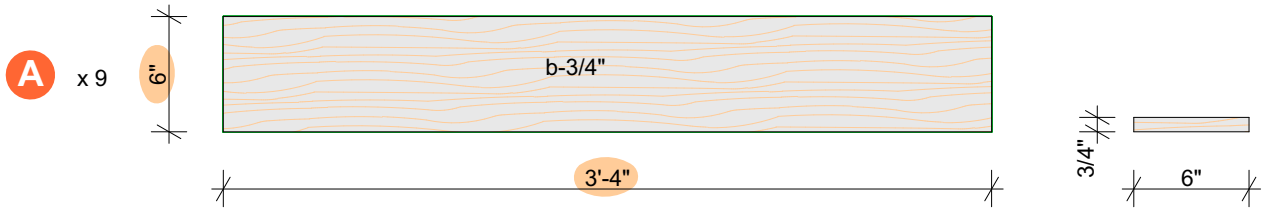
illustrated volume of lumber, necessary to build table

2. You do not need to cut lumber in length like this, keep full length boards.  
 This is illustrative / explanation volume of lumber what you will need.

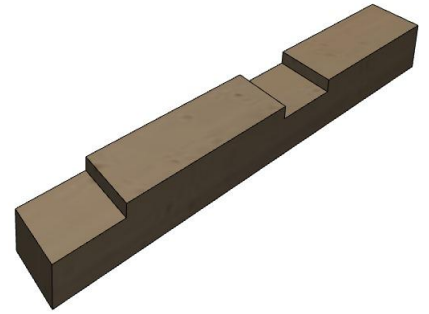
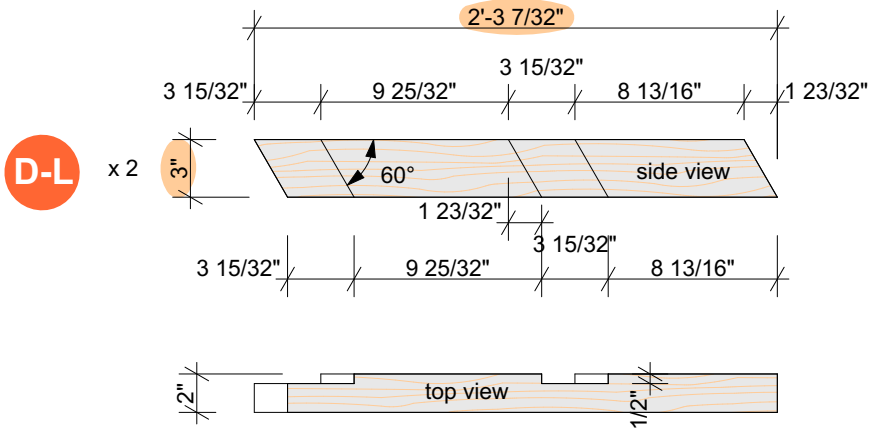


illustrated volume of lumber, necessary to build table

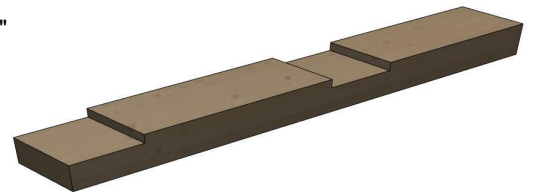
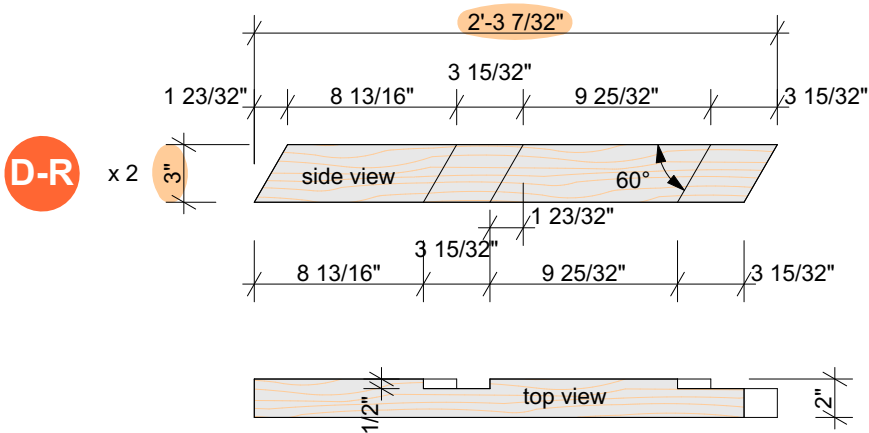
3. Start precut lumber in size and shape, according drawings.



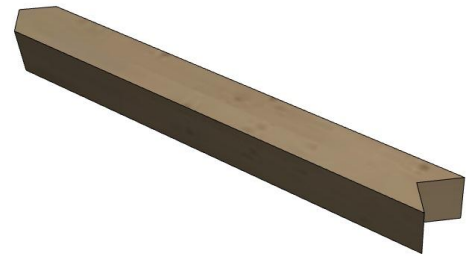
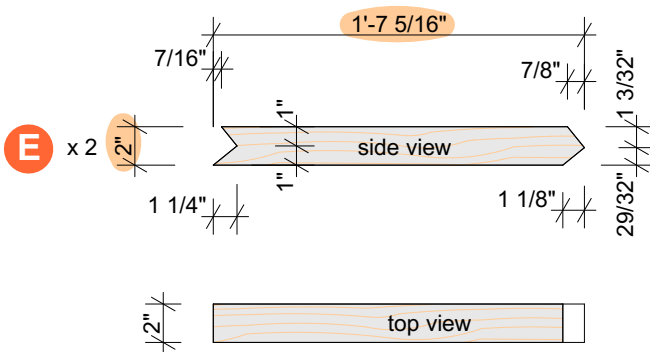
3. Continue precut lumber in size and shape, according drawings.



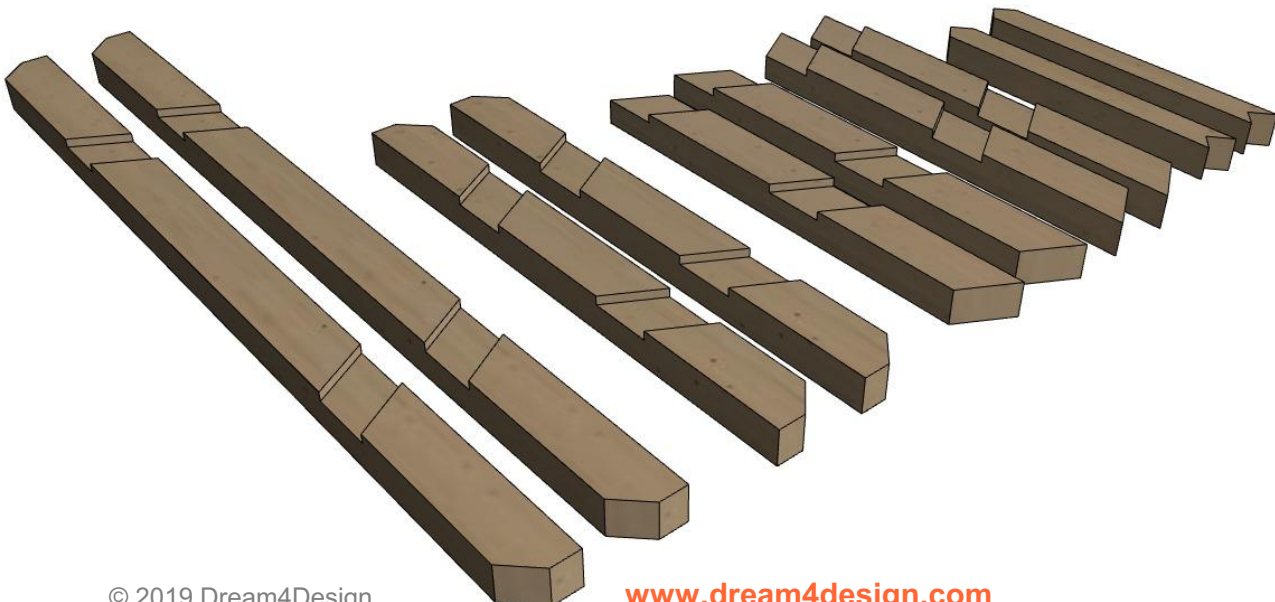
Left table leg



Right table leg



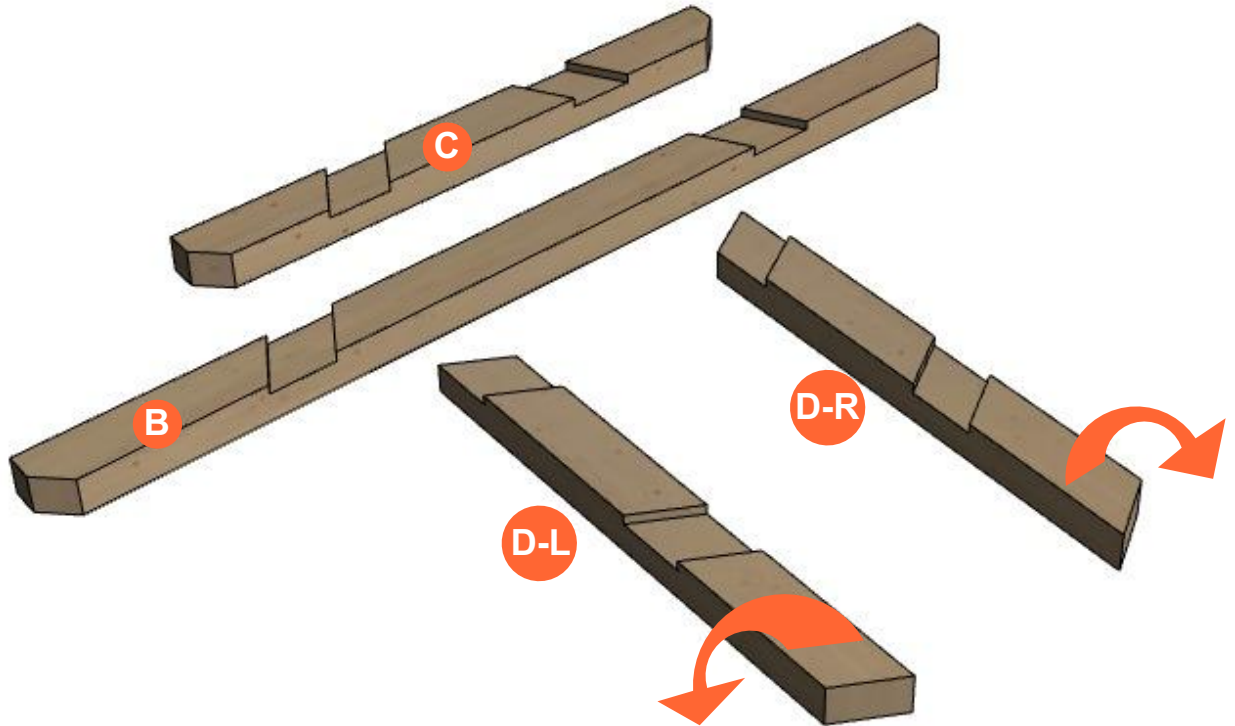
diagonal



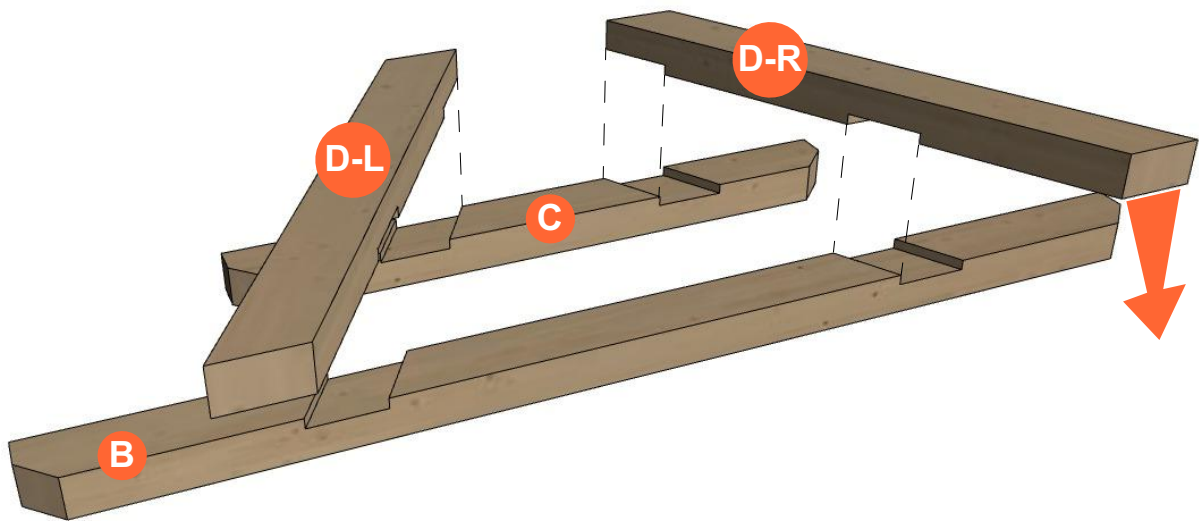
overview

#### 4. Start table assembling

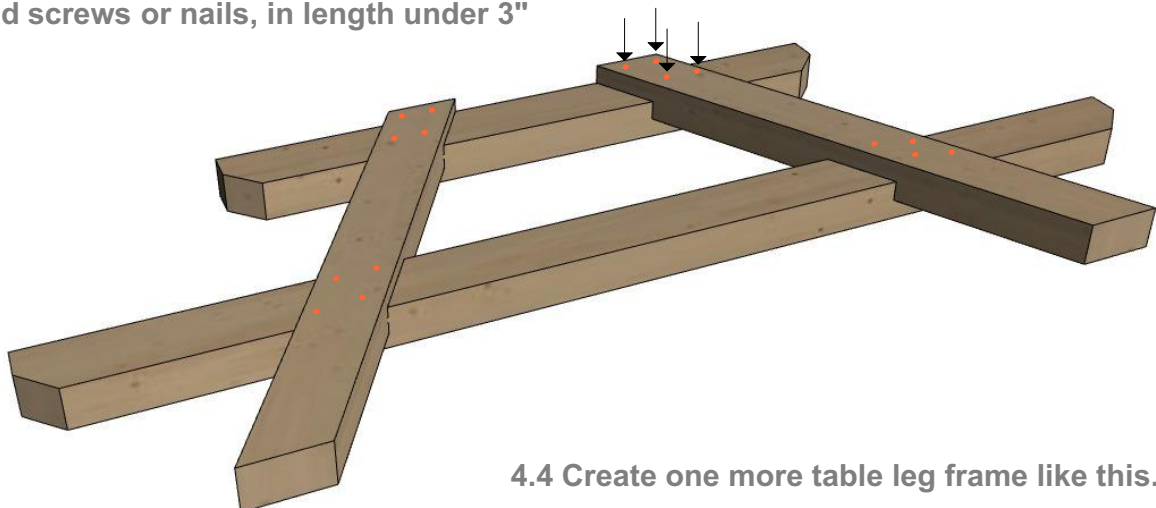
4.1 Create one side of table leg frame. Take 4 details what you have created.



4.2 Place legs inside of crosscutings.



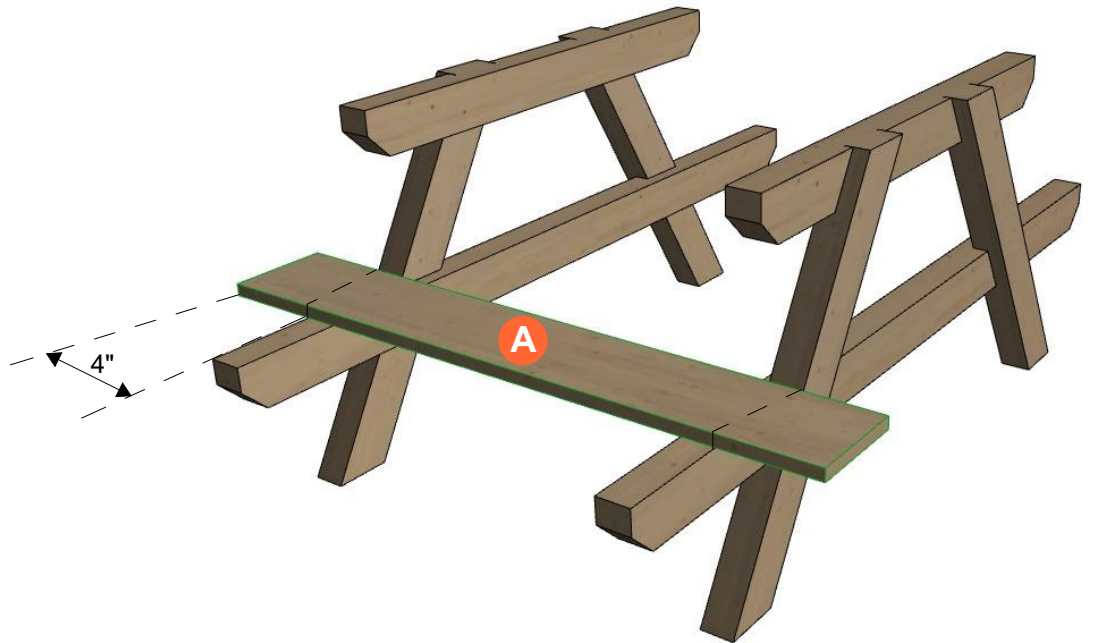
4.3 Add screws or nails, in length under 3"



4.4 Create one more table leg frame like this.

## 4. Continue table assembling

4.5 Start add seating and table top, one board to each top.



4.6 Place diagonale.



4. Finish table assembling

---

4.7 Add all boards to seating and table top. Distance between all boards 1/2"



---

5. Paint table after, or before assembling - enjoy table what you have made!

